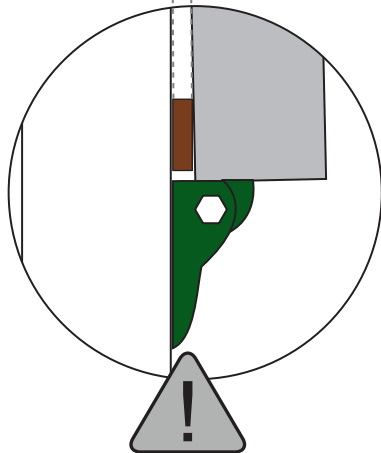


CORRECT FITTING CHECKS

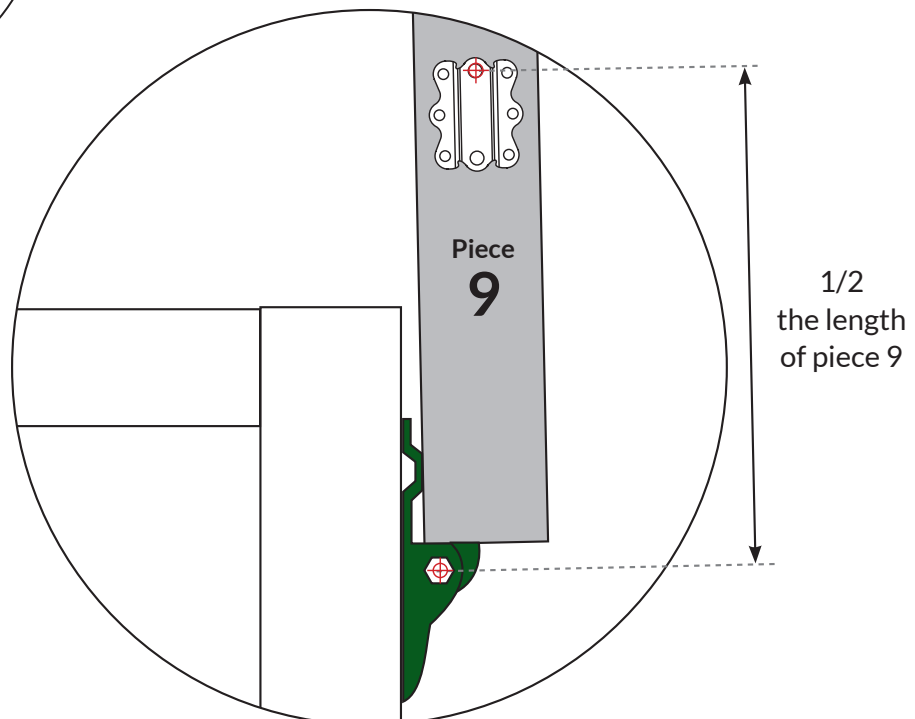
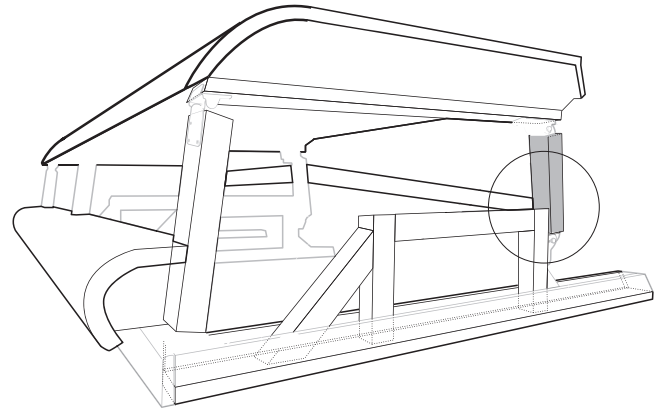
Table Kit - 80320

15mm thick
hardwood spacer



IMPORTANT

Screw a 15mm thick
hardwood board on each
pillar when using the former
Table kit hinges 00320



- Checking the device is fitted within the upper and lower limits of these dimensions will ensure that it activates as the manufacturer designed to meet the FEI frangible standard.
- The clips must be checked if any horse hits the fence to see if the warning flag has been activated and clips replaced with new ones if there is any warning to ensure fairness for all competitors. Never push the warning flag back in as the clip is already weakened.